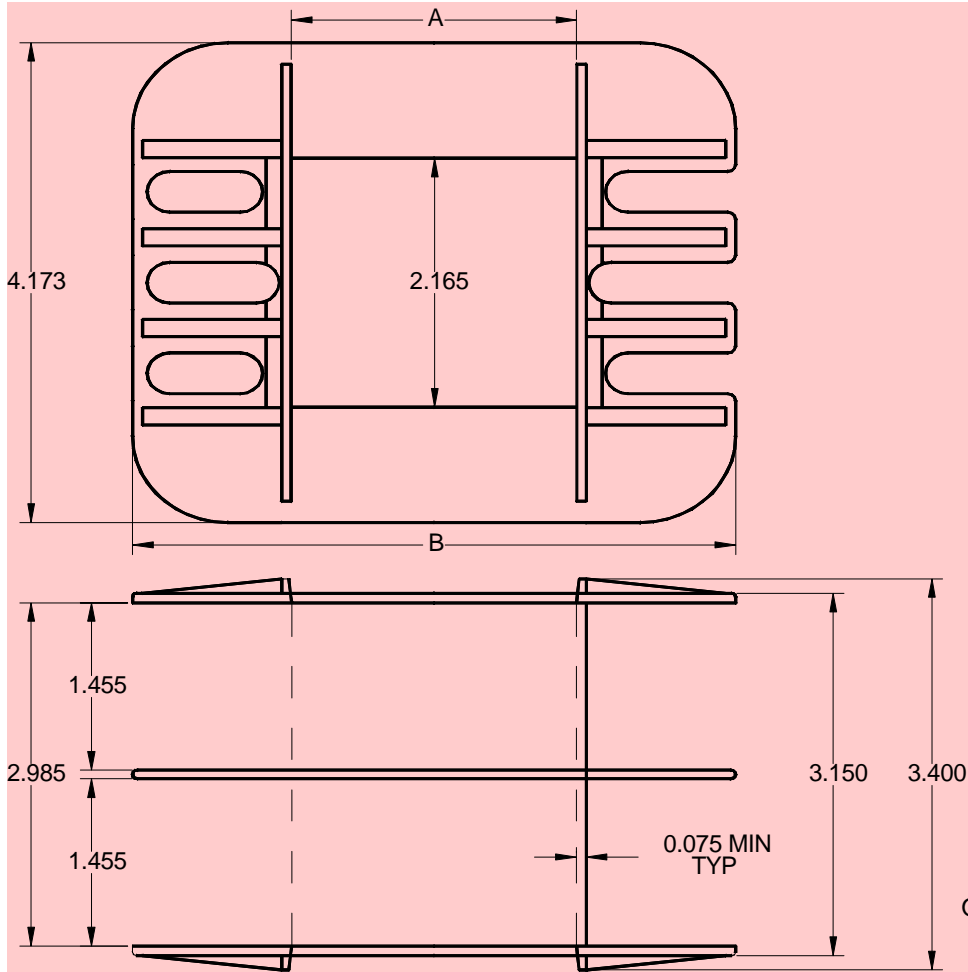


Imperial 638



Bobbin Reference	A	B	Bobbin Code	
			Nylon 66 UL94HB	Nylon 66 UL94V0
638 x 2.25 SS	2.250	4.730	638225SSG	638225SSF
638 x 2.25 DS	2.250	4.730	638225DSG	638225DSF
638 x 2.5 SS	2.500	4.980	638250SSG	638250SSF
638 x 2.5 DS	2.500	4.980	638250DSG	638250DSF
638 x 2 5/8 SS	2.625	5.105	638258SSG	638258SSF
638 x 2 5/8 DS	2.625	5.105	638258DSG	638258DSF
638 x 3 SS	3.000	5.480	638300SSG	638300SSF
638 x 3 DS	3.000	5.480	638300DSG	638300DSF
638 x 3.25 SS	3.250	5.730	638325SSG	638325SSF
638 x 3.25 DS	3.250	5.730	638325DSG	638325DSF
638 x 3.5 SS	3.500	5.980	638350SSG	638350SSF
638 x 3.5 DS	3.500	5.980	638350DSG	638350DSF
638 x 4 SS	4.000	6.480	638400SSG	638400SSF
638 x 4 DS	4.000	6.480	638400DSG	638400DSF

Above codes apply to closed slot bobbins.
For open slot bobbin code, replace last but one letter with 'O' i.e. 638225SOG

FORMERS