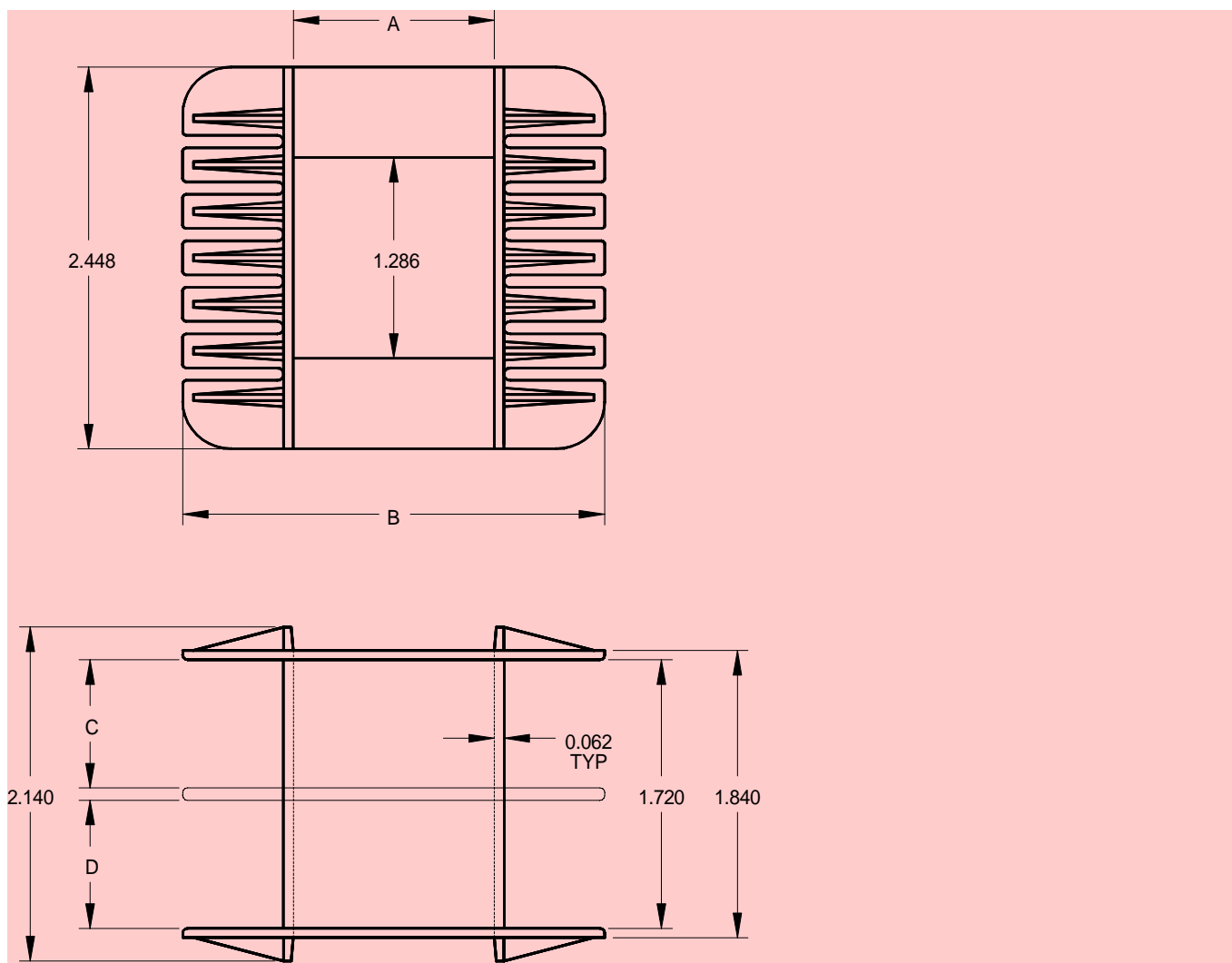


Imperial 78



| Bobbin Reference | A | B | C | D | Bobbin Code | |
|-------------------|-------|-------|-------|-------|-----------------|-----------------|
| | | | | | Nylon 66 UL94HB | Nylon 66 UL94V0 |
| 78 x 1 SS | 1.000 | 2.375 | - | - | 780100SSG | 780100SSF |
| 78 x 1 DS | 1.000 | 2.375 | 0.820 | 0.820 | 780100DSG | 780100DSF |
| 78 x 1.25 SS | 1.250 | 2.622 | - | - | 780125SSG | 780125SSF |
| 78 x 1.25 DS | 1.250 | 2.622 | 0.820 | 0.820 | 780125DSG | 780125DSF |
| 78 x 1.5 SS | 1.500 | 2.872 | - | - | 780150SSG | 780150SSF |
| 78 x 1.5 DS | 1.500 | 2.872 | 0.820 | 0.820 | 780150DSG | 780150DSF |
| 78 x 1.75 SS | 1.750 | 3.125 | - | - | 780175SSG | 780175SSF |
| 78 x 1.75 DS | 1.750 | 3.125 | 0.820 | 0.820 | 780175DSG | 780175DSF |
| 78 x 2 SS | 2.000 | 3.372 | - | - | 780200SSG | 780200SSF |
| 78 x 2 DS | 2.000 | 3.372 | 0.820 | 0.820 | 780200DSG | 780200DSF |
| 78 x 2 DS Off Set | 2.000 | 3.372 | 0.650 | 0.990 | 780200DOG | 780200DOF |

FORMERS