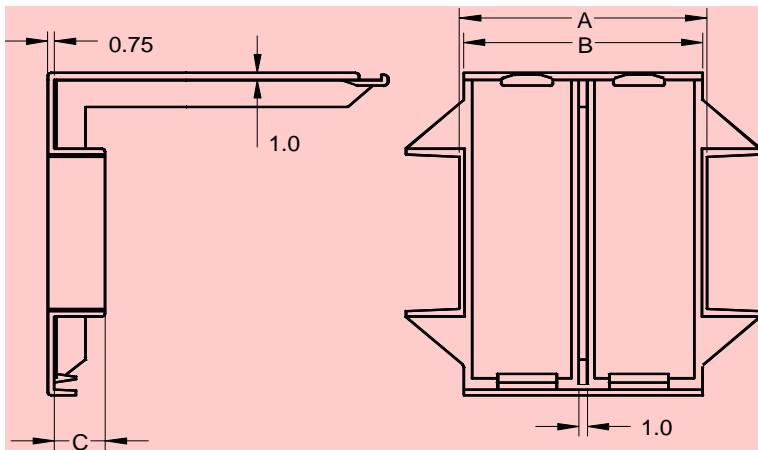
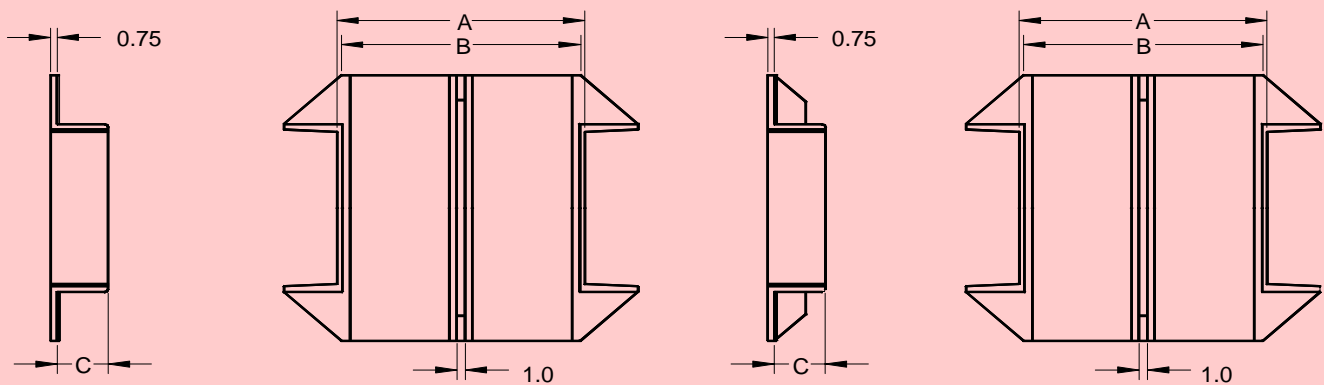


# Metric EI Full and Half Covers



FULL INSULATION COVERS



HALF INSULATION COVERS WITH CENTRE RIB

HALF INSULATION COVERS WITHOUT CENTRE RIB

Bobbin Reference	Full 'L' Cover					Half Cover				
	A	B	C	Nylon 66 UL94HB	Nylon 66 UL94V0	A	B	C	Nylon 66 UL94HB	Nylon 66 UL94V0
MEI 60 x 21.0	29.30	27.80	6.00	M60210FCG	M60210FCF	29.30	27.80	6.00	M60210HCG	M60210HCF
MEI 60 x 25.5	29.30	27.80	6.00	M60255FCG	M60255FCF	29.30	27.80	6.00	M60255HCG	M60255HCF
MEI 60 x 33.0	29.30	27.80	6.00	M60330FCG	M60330FCF	29.30	27.80	6.00	M60330HCG	M60330HCF
MEI 66 x 23.0	32.50	31.00	6.00	M66230FCG	M66230FCF	32.50	31.00	6.00	M66230HCG	M66230HCF
MEI 66 x 34.5	32.50	31.00	6.00	M66345FCG	M66345FCF	32.50	31.00	6.00	M66345HCG	M66345HCF
MEI 75 x 32.0	37.00	35.50	6.00	M75320FCG	M75320FCF	37.00	35.50	6.00	M75320HCG	M75320HCF
MEI 78 x 27.5	38.50	37.00	6.00	M78275FCG	M78275FCF	38.50	37.00	6.00	M78275HCG	M78275HCF
MEI 78 x 36.5	38.50	37.00	6.00	M78365FCG	M78365FCF	38.50	37.00	6.00	M78365HCG	M78365HCF
MEI 84 x 29.5	41.20	39.70	6.00	M84295FCG	M84295FCF	41.30	39.80	6.00	M84295HCG	M84295HCF
MEI 84 x 43.5	41.20	39.70	6.00	M84435FCG	M84435FCF	41.30	39.80	6.00	M84435HCG	M84435HCF
MEI 96 x 35.7	47.20	45.70	6.00	M96357FCG	M96357FCF	47.20	45.70	6.00	M96357HCG	M96357HCF
MEI 96 x 45.7	47.20	45.70	6.00	M96457FCG	M96457FCF	47.20	45.70	6.00	M96457HCG	M96457HCF

Half cover codes apply to covers without a centre rib  
 For covers with a centre rib, replace last but one letter with 'R' i.e. M60210HRC