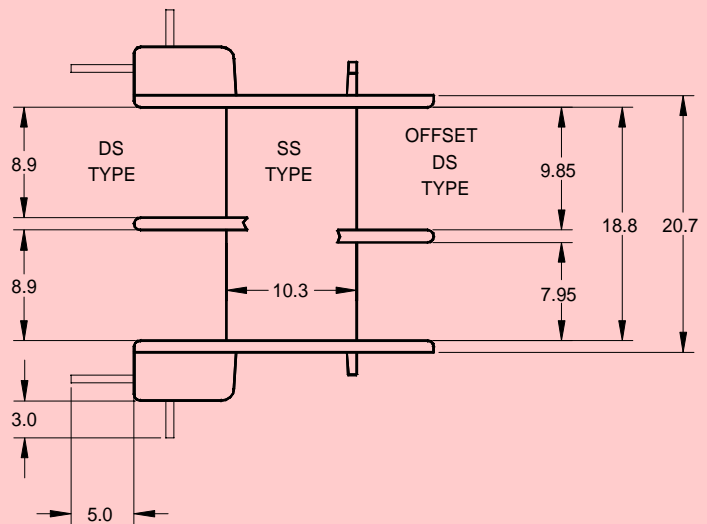
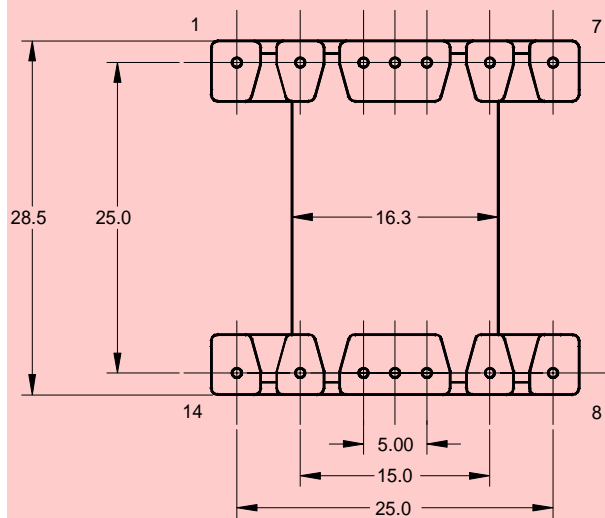
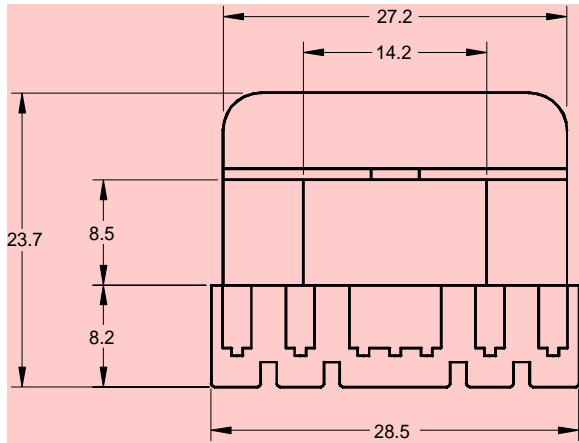


# Metric EI 42 Low Profile



Bobbin Reference

Bobbin Code

Nylon 66 UL94HB Nylon 66 UL94V0

MEI 42 x 8.5 SS

M42085SSG M42085SSF

MEI 42 x 8.5 DS

M42085DSG M42085DSF

MEI 42 x 8.5 DS Offset

M42085DOG M42085DOF

# FORMERS